

SERVICE PARTS LIST FOR MITSUBISHI ELECTRIC PACKAGED AIR-CONDITIONERS

**Series : PEFY-P.VMA-ER1.UK
PEFY-P.VMAL-ER1.UK**

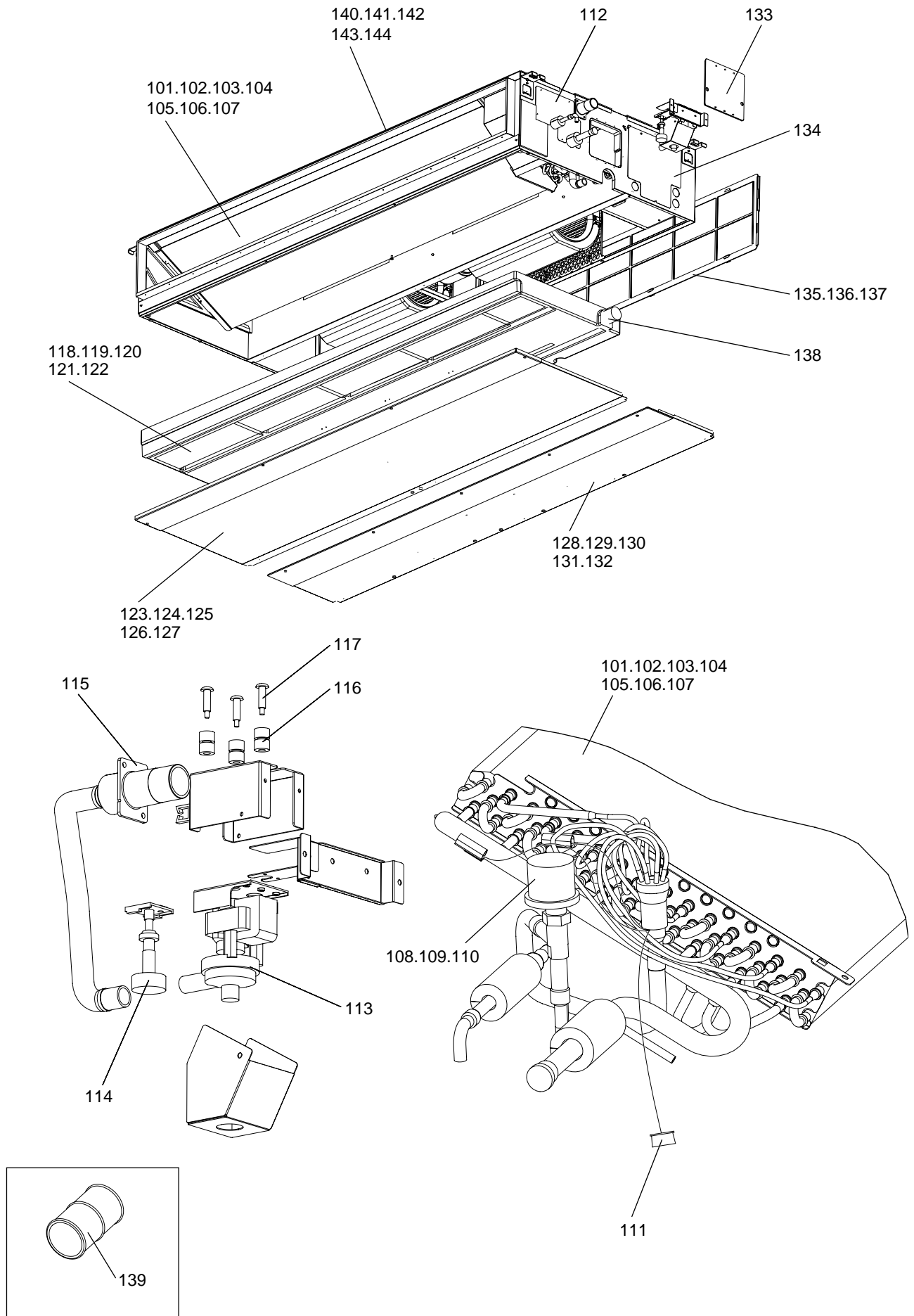
Aug. 2009

BWE09210

INDEX
PEFY-P20VMA(L)-ER1.UK
PEFY-P25VMA(L)-ER1.UK
PEFY-P32VMA(L)-ER1.UK
PEFY-P40VMA(L)-ER1.UK
PEFY-P50VMA(L)-ER1.UK
PEFY-P63VMA(L)-ER1.UK
PEFY-P71VMA(L)-ER1.UK
PEFY-P80VMA(L)-ER1.UK
PEFY-P100VMA(L)-ER1.UK
PEFY-P125VMA(L)-ER1.UK
PEFY-P140VMA(L)-ER1.UK

PEFY-P20,P25,P32,P40,P50VMA-ER1.UK
PEFY-P63,P71,P80,P100,P125,P140VMA-ER1.UK

EXTERNAL PARTS (1)



PEFY-P20,P25,P32,P40,P50VMA-ER1.UK
 PEFY-P63,P71,P80,P100,P125,P140VMA-ER1.UK

EXTERNAL PARTS (1)

No.	Part No.	G : RoHS Apply Only W : RoHS Apply by Running Change		Spec.	PEFY-P20/VMA-ER1.UK	PEFY-P25/VMA-ER1.UK	PEFY-P32/VMA-ER1.UK	PEFY-P40/VMA-ER1.UK	PEFY-P50/VMA-ER1.UK	PEFY-P63/VMA-ER1.UK	Dwg. No.	Price	Revision History
			Part Name										
101	S70 E00 480	G	HEAT EXCHANGER		1	1					KB00A201B01		
102	S70 E10 480	G	HEAT EXCHANGER				1				KB00A201B02		
103	S70 E01 480	G	HEAT EXCHANGER					1	1		KB00A201B03		
104	S70 E02 480	G	HEAT EXCHANGER							1	KB00A175B01		
105	S70 E03 480	G	HEAT EXCHANGER								KB00A175B02		
106	S70 E04 480	G	HEAT EXCHANGER								KB00A175B03		
107	S70 E05 480	G	HEAT EXCHANGER								KB00A175B04		
108	S70 E44 401	G	LEV 4	#EFM-40YGMD-7	1	1	1	1	1	1	KB50B941H01		
109	S70 E88 401	G	LEV 8	#EFM-80YGMD-8							KB50B942H01		
110	S70 E10 401	G	LEV 10	#EFM-A0YGMD-6							KB50B943H01		
111	S70 100 202	G	THERMISTOR		1	1	1	1	1	1	KB71B945M01		
112	S70 E11 065	G	COVER PIPE ASSY		1	1	1	1	1	1	KB00M203G02		
113	S70 E50 355	G	PUMP	PLD	1	1	1	1	1	1	KB56B953H03		
114	S70 E50 266	G	FLOAT SWITCH	#FS-0250	1	1	1	1	1	1	KB68B944H02		
115	S70 E50 527	G	SOCKET ASSY		1	1	1	1	1	1	KB00R308G04		
116	S70 E11 066	G	CUSHION		3	3	3	3	3	3	DB26F013L01		
117	S70 E40 673	G	SCREW SPECIAL M4X 6		3	3	3	3	3	3	Z003Z333H05		
118	S70 E10 529	G	DRAIN PAN ASSY P20		1	1	1				KB00R237G01		
119	S70 E20 529	G	DRAIN PAN ASSY P40					1	1		KB00R237G02		
120	S70 E30 529	G	DRAIN PAN ASSY P63							1	KB00R237G03		
121	S70 E40 529	G	DRAIN PAN ASSY P100								KB00R237G04		
122	S70 E50 529	G	DRAIN PAN ASSY P140								KB00R237G05		
123	S70 E01 669	G	PANEL UD1 ASSY P20		1	1	1				KB00R305G06		
124	S70 E03 669	G	PANEL UD1 ASSY P40					1	1		KB00R305G07		
125	S70 E05 669	G	PANEL UD1 ASSY P63							1	KB00R305G08		
126	S70 E07 669	G	PANEL UD1 ASSY P100								KB00R305G09		
127	S70 E09 669	G	PANEL UD1 ASSY P140								KB00R305G10		
128	S70 E02 669	G	PANEL UD2 ASSY P20		1	1	1				KB00R306G06		
129	S70 E04 669	G	PANEL UD2 ASSY P40					1	1		KB00R306G07		
130	S70 E06 669	G	PANEL UD2 ASSY P63							1	KB00R306G08		
131	S70 E08 669	G	PANEL UD2 ASSY P100								KB00R306G09		
132	S70 E10 669	G	PANEL UD2 ASSY P140								KB00R306G10		
133	S70 E12 067	G	COVER ASSY		1	1	1	1	1	1	KB00M197G02		
134	S70 E13 068	G	COVER BOX ASSY		1	1	1	1	1	1	KB00T337G02		
135	S70 E55 500	G	FILTER 550							2	KB35B880G01		
136	S70 E70 500	G	FILTER 700		1	1	1				KB35B882G01		
137	S70 E90 500	G	FILTER 900					1	1		KB35B881G01		
138	S70 E16 524	G	PLUG	RUBBER	1	1	1	1	1	1	KB26H049H01		
139	S70 29H 523	G	SOCKET		1	1	1	1	1	1	BB25D449H01		
140	S70 E10 642	G	PANEL TOP ASSY P20		1	1	1				KB00R292G06		
141	S70 E20 642	G	PANEL TOP ASSY P40					1	1		KB00R292G07		
142	S70 E30 642	G	PANEL TOP ASSY P63							1	KB00R292G08		
143	S70 E40 642	G	PANEL TOP ASSY P100								KB00R292G09		
144	S70 E50 642	G	PANEL TOP ASSY P140								KB00R292G10		

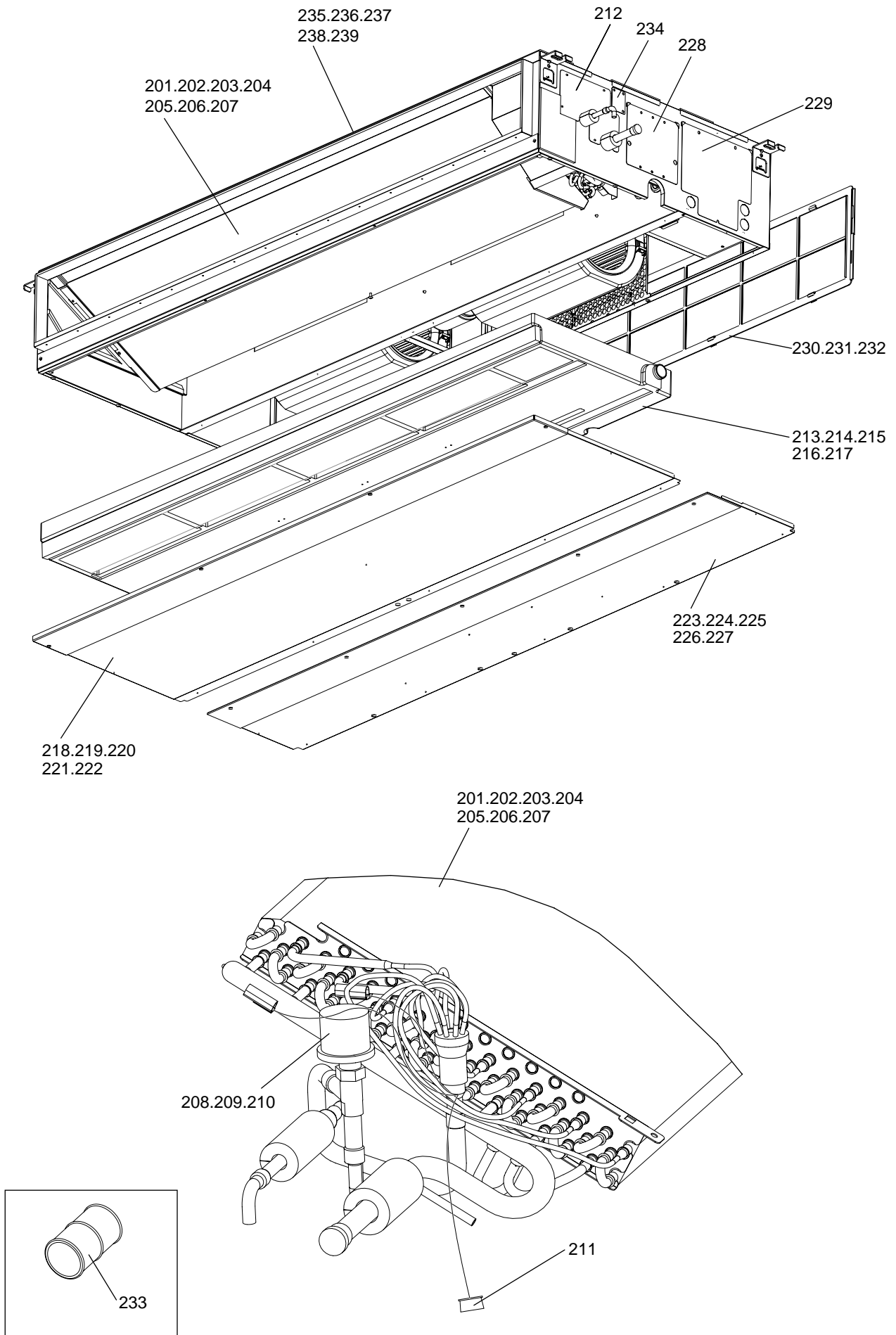
PEFY-P20,P25,P32,P40,P50VMA-ER1.UK
 PEFY-P63,P71,P80,P100,P125,P140VMA-ER1.UK

EXTERNAL PARTS (1)

No.	Part No.	G : RoHS Apply Only W : RoHS Apply by Running Change		Spec.	PEFY-P71VMA-ER1.UK	PEFY-P80VMA-ER1.UK	PEFY-P100VMA-ER1.UK	PEFY-P125VMA-ER1.UK	PEFY-P140VMA-ER1.UK	Dwg. No.	Price	Revision History
			Part Name									
101	S70 E00 480	G	HEAT EXCHANGER							KB00A201B01		
102	S70 E10 480	G	HEAT EXCHANGER							KB00A201B02		
103	S70 E01 480	G	HEAT EXCHANGER							KB00A201B03		
104	S70 E02 480	G	HEAT EXCHANGER							KB00A175B01		
105	S70 E03 480	G	HEAT EXCHANGER		1	1				KB00A175B02		
106	S70 E04 480	G	HEAT EXCHANGER				1	1		KB00A175B03		
107	S70 E05 480	G	HEAT EXCHANGER						1	KB00A175B04		
108	S70 E44 401	G	LEV 4	#EFM-40YGMD-7						KB50B941H01		
109	S70 E88 401	G	LEV 8	#EFM-80YGMD-8	1	1	1	1		KB50B942H01		
110	S70 E10 401	G	LEV 10	#EFM-A0YGMD-6					1	KB50B943H01		
111	S70 100 202	G	THERMISTOR		1	1	1	1	1	KB71B945M01		
112	S70 E11 065	G	COVER PIPE ASSY		1	1	1	1	1	KB00M203G02		
113	S70 E50 355	G	PUMP	PLD	1	1	1	1	1	KB56B953H03		
114	S70 E50 266	G	FLOAT SWITCH	#FS-0250	1	1	1	1	1	KB68B944H02		
115	S70 E50 527	G	SOCKET ASSY		1	1	1	1	1	KB00R308G04		
116	S70 E11 066	G	CUSHION		3	3	3	3	3	DB26F013L01		
117	S70 E40 673	G	SCREW SPECIAL M4X 6		3	3	3	3	3	Z003Z333H05		
118	S70 E10 529	G	DRAIN PAN ASSY P20							KB00R237G01		
119	S70 E20 529	G	DRAIN PAN ASSY P40							KB00R237G02		
120	S70 E30 529	G	DRAIN PAN ASSY P63		1	1				KB00R237G03		
121	S70 E40 529	G	DRAIN PAN ASSY P100				1	1		KB00R237G04		
122	S70 E50 529	G	DRAIN PAN ASSY P140						1	KB00R237G05		
123	S70 E01 669	G	PANEL UD1 ASSY P20							KB00R305G06		
124	S70 E03 669	G	PANEL UD1 ASSY P40							KB00R305G07		
125	S70 E05 669	G	PANEL UD1 ASSY P63		1	1				KB00R305G08		
126	S70 E07 669	G	PANEL UD1 ASSY P100				1	1		KB00R305G09		
127	S70 E09 669	G	PANEL UD1 ASSY P140						1	KB00R305G10		
128	S70 E02 669	G	PANEL UD2 ASSY P20							KB00R306G06		
129	S70 E04 669	G	PANEL UD2 ASSY P40							KB00R306G07		
130	S70 E06 669	G	PANEL UD2 ASSY P63		1	1				KB00R306G08		
131	S70 E08 669	G	PANEL UD2 ASSY P100				1	1		KB00R306G09		
132	S70 E10 669	G	PANEL UD2 ASSY P140						1	KB00R306G10		
133	S70 E12 067	G	COVER ASSY		1	1	1	1	1	KB00M197G02		
134	S70 E13 068	G	COVER BOX ASSY		1	1	1	1	1	KB00T337G02		
135	S70 E55 500	G	FILTER 550		2	2				KB35B880G01		
136	S70 E70 500	G	FILTER 700				2	2	1	KB35B882G01		
137	S70 E90 500	G	FILTER 900						1	KB35B881G01		
138	S70 E16 524	G	PLUG	RUBBER	1	1	1	1	1	KB26H049H01		
139	S70 29H 523	G	SOCKET		1	1	1	1	1	BB25D449H01		
140	S70 E10 642	G	PANEL TOP ASSY P20							KB00R292G06		
141	S70 E20 642	G	PANEL TOP ASSY P40							KB00R292G07		
142	S70 E30 642	G	PANEL TOP ASSY P63		1	1				KB00R292G08		
143	S70 E40 642	G	PANEL TOP ASSY P100				1	1		KB00R292G09		
144	S70 E50 642	G	PANEL TOP ASSY P140						1	KB00R292G10		

PEFY-P20,P25,P32,P40,P50VMAL-ER1.UK
PEFY-P63,P71,P80,P100,P125,P140VMAL-ER1.UK

EXTERNAL PARTS (2)

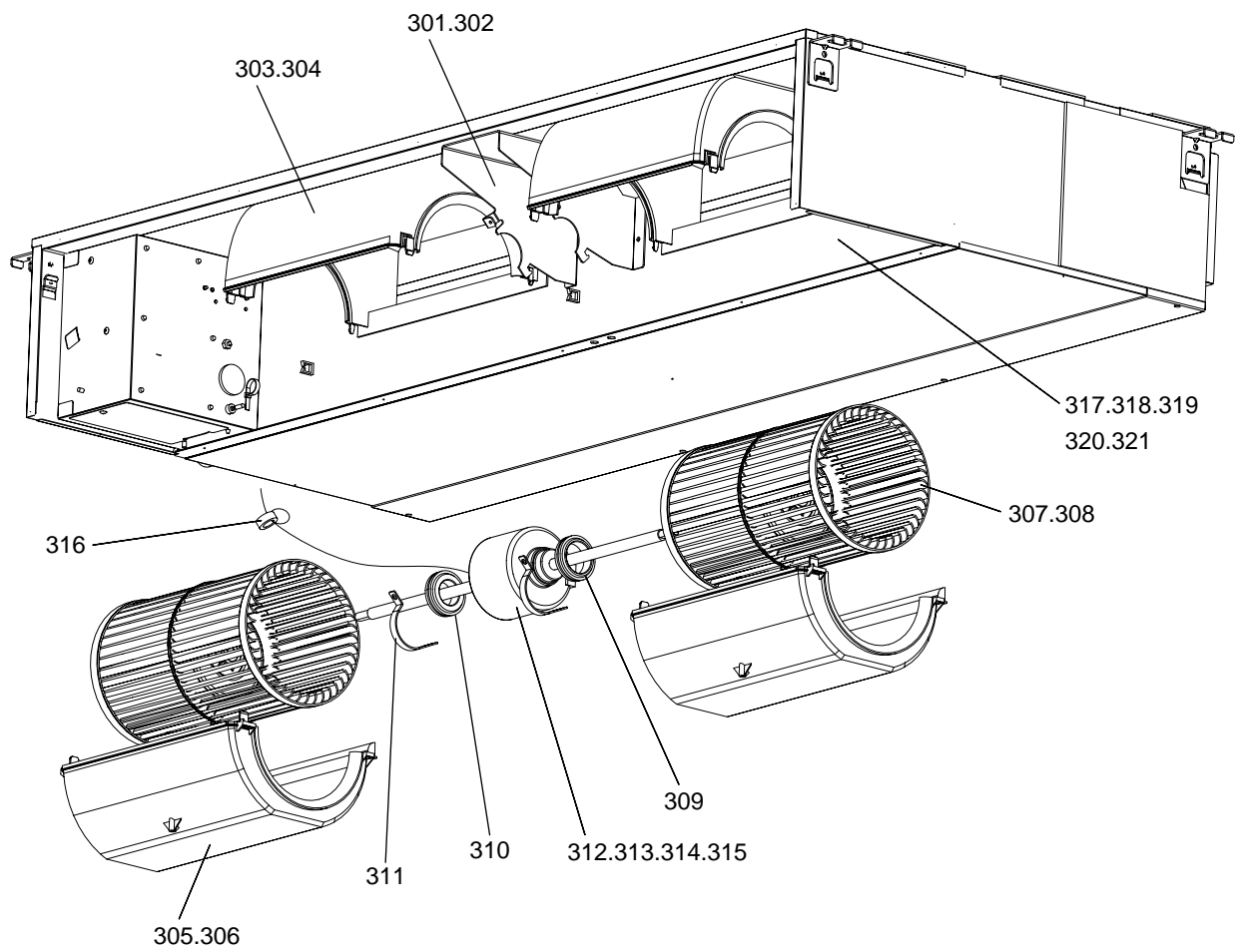


No.	Part No.	G : RoHS Apply Only W : RoHS Apply by Running Change		Spec.	PEFY-P20VMAL-ER1.UK	PEFY-P25VMAL-ER1.UK	PEFY-P32VMAL-ER1.UK	PEFY-P40VMAL-ER1.UK	PEFY-P50VMAL-ER1.UK	PEFY-P63VMAL-ER1.UK	Dwg. No.	Price	Revision History
			Part Name										
201	S70 E00 480	G	HEAT EXCHANGER		1	1					KB00A201B01		
202	S70 E10 480	G	HEAT EXCHANGER				1				KB00A201B02		
203	S70 E01 480	G	HEAT EXCHANGER					1	1		KB00A201B03		
204	S70 E02 480	G	HEAT EXCHANGER						1		KB00A175B01		
205	S70 E03 480	G	HEAT EXCHANGER								KB00A175B02		
206	S70 E04 480	G	HEAT EXCHANGER								KB00A175B03		
207	S70 E05 480	G	HEAT EXCHANGER								KB00A175B04		
208	S70 E44 401	G	LEV 4	#EFM-40YGMD-7	1	1	1	1	1	1	KB50B941H01		
209	S70 E88 401	G	LEV 8	#EFM-80YGMD-8							KB50B942H01		
210	S70 E10 401	G	LEV 10	#EFM-A0YGMD-6							KB50B943H01		
211	S70 100 202	G	THERMISTOR		1	1	1	1	1	1	KB71B945M01		
212	S70 E11 065	G	COVER PIPE ASSY		1	1	1	1	1	1	KB00M203G02		
213	S70 E10 529	G	DRAIN PAN ASSY P20		1	1	1				KB00R237G01		
214	S70 E20 529	G	DRAIN PAN ASSY P40					1	1		KB00R237G02		
215	S70 E30 529	G	DRAIN PAN ASSY P63							1	KB00R237G03		
216	S70 E40 529	G	DRAIN PAN ASSY P100								KB00R237G04		
217	S70 E50 529	G	DRAIN PAN ASSY P140								KB00R237G05		
218	S70 E01 669	G	PANEL UD1 ASSY P20		1	1	1				KB00R305G06		
219	S70 E03 669	G	PANEL UD1 ASSY P40					1	1		KB00R305G07		
220	S70 E05 669	G	PANEL UD1 ASSY P63							1	KB00R305G08		
221	S70 E07 669	G	PANEL UD1 ASSY P100								KB00R305G09		
222	S70 E09 669	G	PANEL UD1 ASSY P140								KB00R305G10		
223	S70 E02 669	G	PANEL UD2 ASSY P20		1	1	1				KB00R306G06		
224	S70 E04 669	G	PANEL UD2 ASSY P40					1	1		KB00R306G07		
225	S70 E06 669	G	PANEL UD2 ASSY P63							1	KB00R306G08		
226	S70 E08 669	G	PANEL UD2 ASSY P100								KB00R306G09		
227	S70 E10 669	G	PANEL UD2 ASSY P140								KB00R306G10		
228	S70 E12 067	G	COVER ASSY		1	1	1	1	1	1	KB00M197G02		
229	S70 E13 068	G	COVER BOX ASSY		1	1	1	1	1	1	KB00T337G02		
230	S70 E55 500	G	FILTER 550							2	KB35B880G01		
231	S70 E70 500	G	FILTER 700		1	1	1				KB35B882G01		
232	S70 E90 500	G	FILTER 900					1	1		KB35B881G01		
233	S70 29H 523	G	SOCKET		1	1	1	1	1	1	BB25D449H01		
234	S70 E30 522	G	COVER SOCKET ASSY		1	1	1	1	1	1	KB00M268G02		
235	S70 E10 642	G	PANEL TOP ASSY P20		1	1	1				KB00R292G06		
236	S70 E20 642	G	PANEL TOP ASSY P40					1	1		KB00R292G07		
237	S70 E30 642	G	PANEL TOP ASSY P63							1	KB00R292G08		
238	S70 E40 642	G	PANEL TOP ASSY P100								KB00R292G09		
239	S70 E50 642	G	PANEL TOP ASSY P140								KB00R292G10		

No.	Part No.	G : RoHS Apply Only W : RoHS Apply by Running Change		Spec.	PEFY-P71VMAL-ER1.UK	PEFY-P80VMAL-ER1.UK	PEFY-P100VMAL-ER1.UK	PEFY-P125VMAL-ER1.UK	PEFY-P140VMAL-ER1.UK	Dwg. No.	Price	Revision History
		Part Name										
201	S70 E00 480	G	HEAT EXCHANGER							KB00A201B01		
202	S70 E10 480	G	HEAT EXCHANGER							KB00A201B02		
203	S70 E01 480	G	HEAT EXCHANGER							KB00A201B03		
204	S70 E02 480	G	HEAT EXCHANGER							KB00A175B01		
205	S70 E03 480	G	HEAT EXCHANGER		1	1				KB00A175B02		
206	S70 E04 480	G	HEAT EXCHANGER				1	1		KB00A175B03		
207	S70 E05 480	G	HEAT EXCHANGER						1	KB00A175B04		
208	S70 E44 401	G	LEV 4	#EFM-40YGMD-7						KB50B941H01		
209	S70 E88 401	G	LEV 8	#EFM-80YGMD-8	1	1	1	1		KB50B942H01		
210	S70 E10 401	G	LEV 10	#EFM-A0YGMD-6					1	KB50B943H01		
211	S70 100 202	G	THERMISTOR		1	1	1	1	1	KB71B945M01		
212	S70 E11 065	G	COVER PIPE ASSY		1	1	1	1	1	KB00M203G02		
213	S70 E10 529	G	DRAIN PAN ASSY P20							KB00R237G01		
214	S70 E20 529	G	DRAIN PAN ASSY P40							KB00R237G02		
215	S70 E30 529	G	DRAIN PAN ASSY P63		1	1				KB00R237G03		
216	S70 E40 529	G	DRAIN PAN ASSY P100				1	1		KB00R237G04		
217	S70 E50 529	G	DRAIN PAN ASSY P140						1	KB00R237G05		
218	S70 E01 669	G	PANEL UD1 ASSY P20							KB00R305G06		
219	S70 E03 669	G	PANEL UD1 ASSY P40							KB00R305G07		
220	S70 E05 669	G	PANEL UD1 ASSY P63		1	1				KB00R305G08		
221	S70 E07 669	G	PANEL UD1 ASSY P100				1	1		KB00R305G09		
222	S70 E09 669	G	PANEL UD1 ASSY P140						1	KB00R305G10		
223	S70 E02 669	G	PANEL UD2 ASSY P20							KB00R306G06		
224	S70 E04 669	G	PANEL UD2 ASSY P40							KB00R306G07		
225	S70 E06 669	G	PANEL UD2 ASSY P63		1	1				KB00R306G08		
226	S70 E08 669	G	PANEL UD2 ASSY P100				1	1		KB00R306G09		
227	S70 E10 669	G	PANEL UD2 ASSY P140						1	KB00R306G10		
228	S70 E12 067	G	COVER ASSY		1	1	1	1	1	KB00M197G02		
229	S70 E13 068	G	COVER BOX ASSY		1	1	1	1	1	KB00T337G02		
230	S70 E55 500	G	FILTER 550		2	2				KB35B880G01		
231	S70 E70 500	G	FILTER 700				2	2	1	KB35B882G01		
232	S70 E90 500	G	FILTER 900						1	KB35B881G01		
233	S70 29H 523	G	SOCKET		1	1	1	1	1	BB25D449H01		
234	S70 E30 522	G	COVER SOCKET ASSY		1	1	1	1	1	KB00M268G02		
235	S70 E10 642	G	PANEL TOP ASSY P20							KB00R292G06		
236	S70 E20 642	G	PANEL TOP ASSY P40							KB00R292G07		
237	S70 E30 642	G	PANEL TOP ASSY P63		1	1				KB00R292G08		
238	S70 E40 642	G	PANEL TOP ASSY P100				1	1		KB00R292G09		
239	S70 E50 642	G	PANEL TOP ASSY P140						1	KB00R292G10		

PEFY-P20,P25,P32,P40,P50VMA(L)-ER1.UK
PEFY-P63,P71,P80,P100,P125,P140VMA(L)-ER1.UK

BLOWER PARTS



PEFY-P20,P25,P32,P40,P50VMA(L)-ER1.UK
 PEFY-P63,P71,P80,P100,P125,P140VMA(L)-ER1.UK

BLOWER PARTS

No.	Part No.	G : RoHS Apply Only W : RoHS Apply by Running Change		Spec.	PEFY-P20/VMA-ER1.UK	PEFY-P25/VMA-ER1.UK	PEFY-P32/VMA-ER1.UK	PEFY-P40/VMA-ER1.UK	PEFY-P50/VMA-ER1.UK	PEFY-P63/VMA-ER1.UK	Dwg. No.	Price	Revision History
			Part Name										
301	S70 E30 130	G	MOTOR BASE P20		1	1	1	1	1	1	KB02B861Z02		
302	S70 E40 130	G	MOTOR BASE P100								KB02B862Z02		
303	S70 E10 110	G	FAN CASE U		1	1	1				2 KB25A145G01		
304	S70 E30 110	G	FAN CASE U					1	1		KB25A144G01		
305	S70 E50 110	G	FAN CASE L		1	1	1				2 KB25A147G01		
306	S70 E40 110	G	FAN CASE L					1	1		KB25A146G01		
307	S70 E20 114	G	SIROCCO FAN 200 ASSY		1	1	1				2 KB00R101G01		
308	S70 E32 114	G	SIROCCO FAN 320 ASSY					1	1		KB00R102G01		
309	S70 L10 105	G	RUBBER MOUNT L		1	1	1	1	1	1	KB31D833H03		
310	S70 R20 105	G	RUBBER MOUNT R		1	1	1	1	1	1	KB31D833H04		
311	S70 E10 131	G	ATTACHMENT		2	2	2	2	2	2	W353715H01		
312	S70 E10 220	G	MOTOR P20		1	1	1				KB61B960H03		
313	S70 E20 220	G	MOTOR P40					1	1		KB61B961H03		
314	S70 E30 220	G	MOTOR P63							1	KB61B962H03		
315	S70 E40 220	G	MOTOR P100								KB61B963H03		
316	S70 030 292	G	CLAMP FERRITE								KP65F165H01		
317	S70 E10 677	G	FAN PLATE ASSY P20		1	1	1				KB00T067G06		
318	S70 E20 677	G	FAN PLATE ASSY P40					1	1		KB00T067G07		
319	S70 E30 677	G	FAN PLATE ASSY P63							1	KB00T067G08		
320	S70 E40 677	G	FAN PLATE ASSY P100								KB00T067G09		
321	S70 E50 677	G	FAN PLATE ASSY P140								KB00T067G10		

No.	Part No.	G : RoHS Apply Only W : RoHS Apply by Running Change	Part Name	Spec.	PEFY-P71VMA-ER1.UK	PEFY-P80VMA-ER1.UK	PEFY-P100VMA-ER1.UK	PEFY-P125VMA-ER1.UK	PEFY-P140VMA-ER1.UK	Dwg. No.	Price	Revision History
301	S70 E30 130	G	MOTOR BASE P20		1	1				KB02B861Z02		
302	S70 E40 130	G	MOTOR BASE P100				1	1	1	KB02B862Z02		
303	S70 E10 110	G	FAN CASE U		2	2				KB25A145G01		
304	S70 E30 110	G	FAN CASE U				2	2	2	KB25A144G01		
305	S70 E50 110	G	FAN CASE L		2	2				KB25A147G01		
306	S70 E40 110	G	FAN CASE L				2	2	2	KB25A146G01		
307	S70 E20 114	G	SIROCCO FAN 200 ASSY		2	2				KB00R101G01		
308	S70 E32 114	G	SIROCCO FAN 320 ASSY				2	2	2	KB00R102G01		
309	S70 L10 105	G	RUBBER MOUNT L		1	1				KB31D833H03		
310	S70 R20 105	G	RUBBER MOUNT R		1	1	2	2	2	KB31D833H04		
311	S70 E10 131	G	ATTACHMENT		2	2	2	2	2	W353715H01		
312	S70 E10 220	G	MOTOR P20							KB61B960H03		
313	S70 E20 220	G	MOTOR P40							KB61B961H03		
314	S70 E30 220	G	MOTOR P63		1	1				KB61B962H03		
315	S70 E40 220	G	MOTOR P100				1	1	1	KB61B963H03		
316	S70 030 292	G	CLAMP FERRITE				1	1	1	KP65F165H01		
317	S70 E10 677	G	FAN PLATE ASSY P20							KB00T067G06		
318	S70 E20 677	G	FAN PLATE ASSY P40							KB00T067G07		
319	S70 E30 677	G	FAN PLATE ASSY P63		1	1				KB00T067G08		
320	S70 E40 677	G	FAN PLATE ASSY P100				1	1		KB00T067G09		
321	S70 E50 677	G	FAN PLATE ASSY P140						1	KB00T067G10		

PEFY-P20,P25,P32,P40,P50VMA(L)-ER1.UK
PEFY-P63,P71,P80,P100,P125,P140VMA(L)-ER1.UK

BLOWER PARTS

No.	Part No.	G : RoHS Apply Only W : RoHS Apply by Running Change		Spec.	PEFY-P20/VMA(L)-ER1.UK	PEFY-P25/VMA(L)-ER1.UK	PEFY-P32/VMA(L)-ER1.UK	PEFY-P40/VMA(L)-ER1.UK	PEFY-P50/VMA(L)-ER1.UK	PEFY-P63/VMA(L)-ER1.UK	Dwg. No.	Price	Revision History
			Part Name										
301	S70 E30 130	G	MOTOR BASE P20		1	1	1	1	1	1	KB02B861Z02		
302	S70 E40 130	G	MOTOR BASE P100								KB02B862Z02		
303	S70 E10 110	G	FAN CASE U		1	1	1				2 KB25A145G01		
304	S70 E30 110	G	FAN CASE U				1	1			KB25A144G01		
305	S70 E50 110	G	FAN CASE L		1	1	1				2 KB25A147G01		
306	S70 E40 110	G	FAN CASE L				1	1			KB25A146G01		
307	S70 E20 114	G	SIROCCO FAN 200 ASSY		1	1	1				2 KB00R101G01		
308	S70 E32 114	G	SIROCCO FAN 320 ASSY				1	1			KB00R102G01		
309	S70 L10 105	G	RUBBER MOUNT L		1	1	1	1	1	1	KB31D833H03		
310	S70 R20 105	G	RUBBER MOUNT R		1	1	1	1	1	1	KB31D833H04		
311	S70 E10 131	G	ATTACHMENT		2	2	2	2	2	2	W353715H01		
312	S70 E10 220	G	MOTOR P20		1	1	1				KB61B960H03		
313	S70 E20 220	G	MOTOR P40				1	1			KB61B961H03		
314	S70 E30 220	G	MOTOR P63							1	KB61B962H03		
315	S70 E40 220	G	MOTOR P100								KB61B963H03		
316	S70 030 292	G	CLAMP FERRITE								KP65F165H01		
317	S70 E10 677	G	FAN PLATE ASSY P20		1	1	1				KB00T067G06		
318	S70 E20 677	G	FAN PLATE ASSY P40				1	1			KB00T067G07		
319	S70 E30 677	G	FAN PLATE ASSY P63							1	KB00T067G08		
320	S70 E40 677	G	FAN PLATE ASSY P100								KB00T067G09		
321	S70 E50 677	G	FAN PLATE ASSY P140								KB00T067G10		

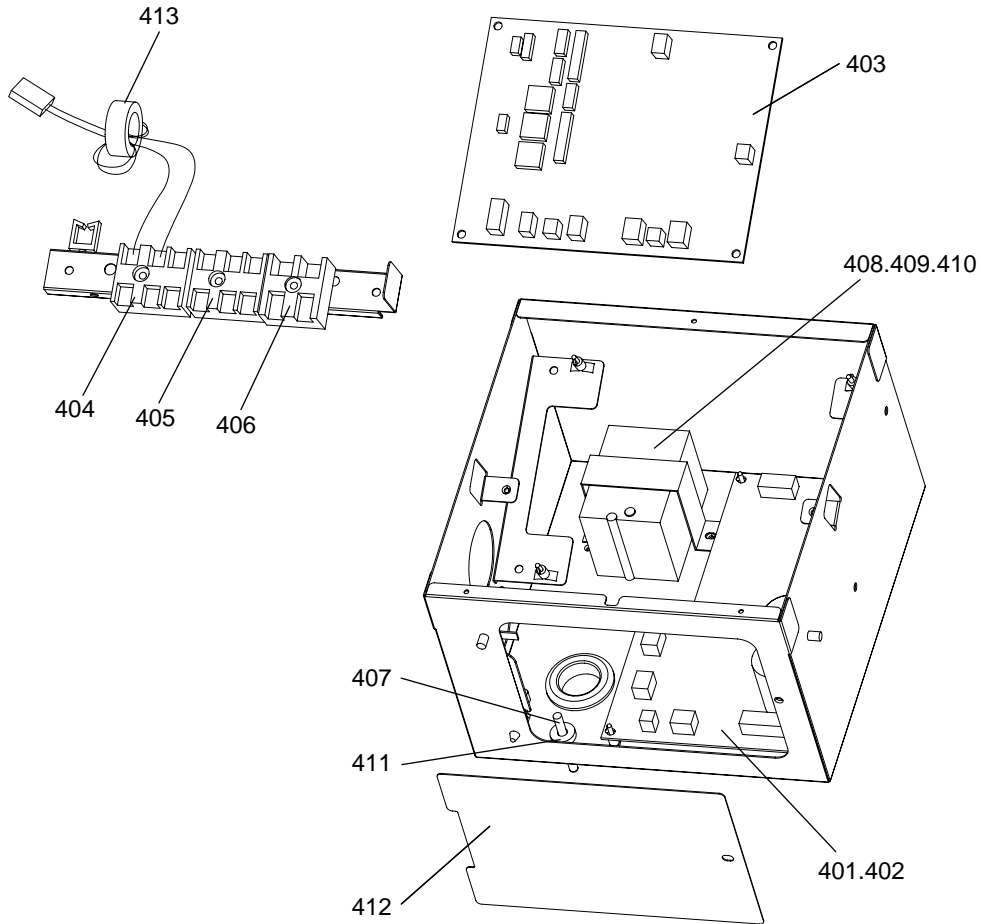
PEFY-P20,P25,P32,P40,P50VMA(L)-ER1.UK
 PEFY-P63,P71,P80,P100,P125,P140VMA(L)-ER1.UK

BLOWER PARTS

No.	Part No.	G : RoHS Apply Only W : RoHS Apply by Running Change		Spec.	PEFY-P71VMA(L)-ER1.UK	PEFY-P80VMA(L)-ER1.UK	PEFY-P100VMA(L)-ER1.UK	PEFY-P125VMA(L)-ER1.UK	PEFY-P140VMA(L)-ER1.UK	Dwg. No.	Price	Revision History
			Part Name									
301	S70 E30 130	G	MOTOR BASE P20		1	1				KB02B861Z02		
302	S70 E40 130	G	MOTOR BASE P100				1	1	1	KB02B862Z02		
303	S70 E10 110	G	FAN CASE U		2	2				KB25A145G01		
304	S70 E30 110	G	FAN CASE U				2	2	2	KB25A144G01		
305	S70 E50 110	G	FAN CASE L		2	2				KB25A147G01		
306	S70 E40 110	G	FAN CASE L				2	2	2	KB25A146G01		
307	S70 E20 114	G	SIROCCO FAN 200 ASSY		2	2				KB00R101G01		
308	S70 E32 114	G	SIROCCO FAN 320 ASSY				2	2	2	KB00R102G01		
309	S70 L10 105	G	RUBBER MOUNT L		1	1				KB31D833H03		
310	S70 R20 105	G	RUBBER MOUNT R		1	1	2	2	2	KB31D833H04		
311	S70 E10 131	G	ATTACHMENT		2	2	2	2	2	W353715H01		
312	S70 E10 220	G	MOTOR P20							KB61B960H03		
313	S70 E20 220	G	MOTOR P40							KB61B961H03		
314	S70 E30 220	G	MOTOR P63		1	1				KB61B962H03		
315	S70 E40 220	G	MOTOR P100				1	1	1	KB61B963H03		
316	S70 030 292	G	CLAMP FERRITE				1	1	1	KP65F165H01		
317	S70 E10 677	G	FAN PLATE ASSY P20							KB00T067G06		
318	S70 E20 677	G	FAN PLATE ASSY P40							KB00T067G07		
319	S70 E30 677	G	FAN PLATE ASSY P63		1	1				KB00T067G08		
320	S70 E40 677	G	FAN PLATE ASSY P100				1	1		KB00T067G09		
321	S70 E50 677	G	FAN PLATE ASSY P140						1	KB00T067G10		

PEFY-P20,P25,P32,P40,P50VMA(L)-ER1.UK
 PEFY-P63,P71,P80,P100,P125,P140VMA(L)-ER1.UK

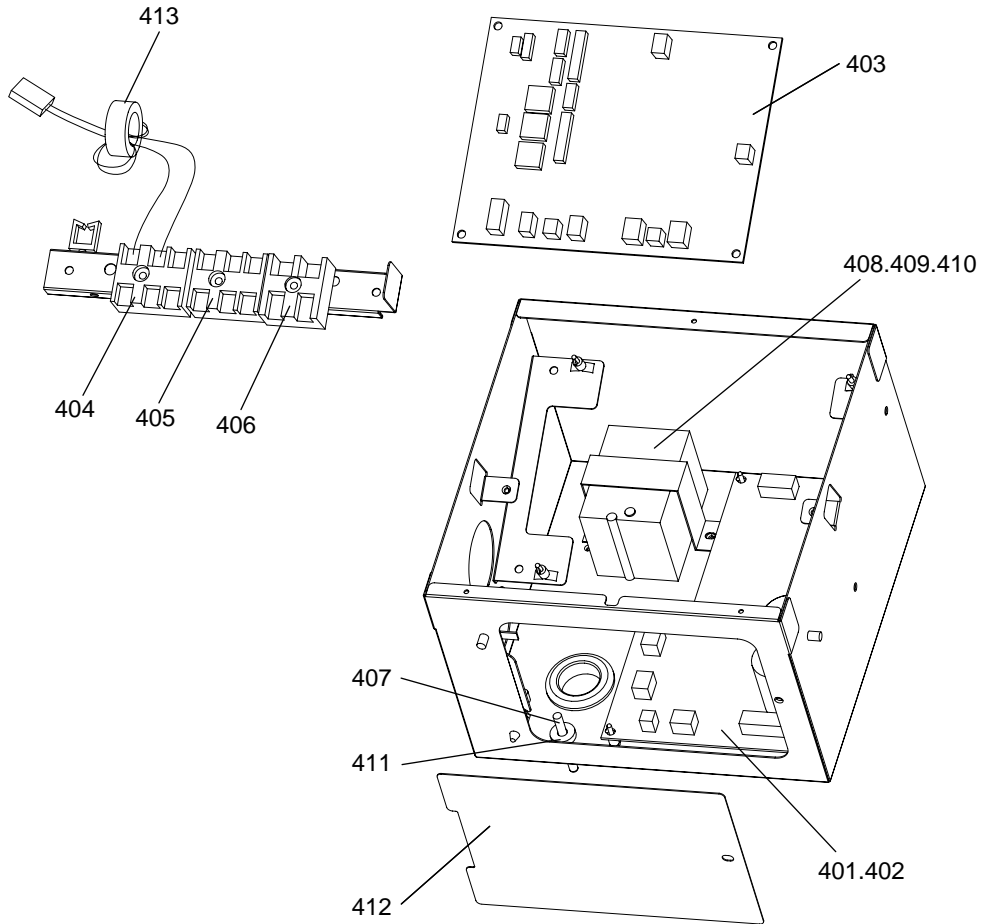
CONTROL BOX PARTS



No.	Part No.	G : RoHS Apply Only W : RoHS Apply by Running Change		Spec.	PEFY-P20VMA-ER1.UK	PEFY-P25VMA-ER1.UK	PEFY-P32VMA-ER1.UK	PEFY-P40VMA-ER1.UK	PEFY-P50VMA-ER1.UK	PEFY-P63VMA-ER1.UK	Dwg. No.	Price	Revision History
			Part Name										
401	S70 K30 313	G	PRINTED CIRCUIT ASSEMBLY	PW 3A	1	1	1	1	1	1	KE01D548B03		
402	S70 K40 313	G	PRINTED CIRCUIT ASSEMBLY	PW 5A							KE01D548B04		
403	S70 K10 310	G	PRINTED CIRCUIT ASSEMBLY	INDOOR CONTROL	1	1	1	1	1	1	KE01D546B02		
404	S70 0B4 716	G	TERMINAL BLOCK ASSY		1	1	1	1	1	1	BH00C267G05		
405	S70 B02 716	G	TERMINAL BLOCK ASSY		1	1	1	1	1	1	BH00C267G04		
406	S70 E40 716	G	TERMINAL BLOCK		1	1	1	1	1	1	BH73L021H01		
407	S70 0B1 202	G	THERMISTOR-S	250XAP	1	1	1	1	1	1	RG71J628H01		
408	S70 K01 259	G	REACTOR	3A3	1	1	1	1	1	1	KE65D486H02		
409	S70 K02 259	G	REACTOR	3A6							KE65D487H01		
410	S70 K03 259	G	REACTOR	5A6							KE65D488H01		
411	S70 E10 306	G	CORD BUSH		1	1	1	1	1	1	BG25U730H01		
412	S70 E14 068	G	BOX UNDER COVER		1	1	1	1	1	1	KB02K887Z01		
413	S70 040 292	G	CLAMP FERRITE FOB		1	1	1	1	1	1	KE65D273H01		

PEFY-P20,P25,P32,P40,P50VMA(L)-ER1.UK
 PEFY-P63,P71,P80,P100,P125,P140VMA(L)-ER1.UK

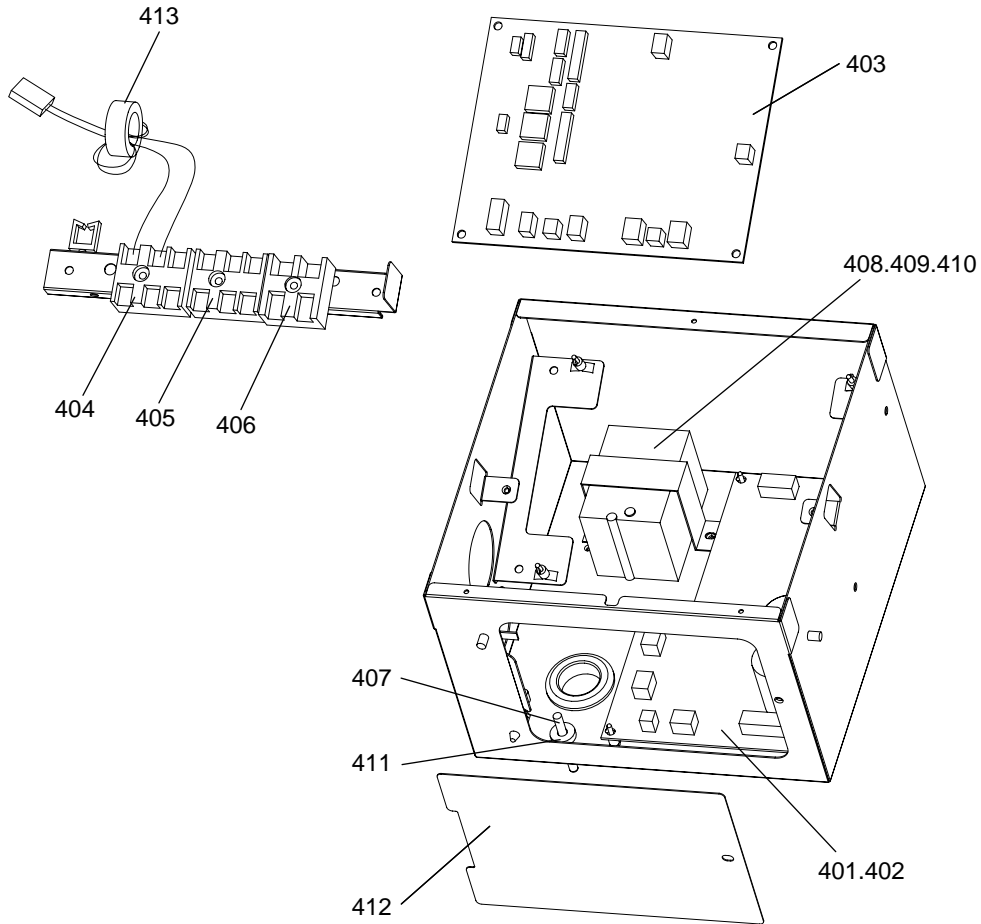
CONTROL BOX PARTS



No.	Part No.	G : RoHS Apply Only W : RoHS Apply by Running Change		Spec.	PEFY/P17VMA-ER1.UK	PEFY/P80VMA-ER1.UK	PEFY/P100VMA-ER1.UK	PEFY/P125VMA-ER1.UK	PEFY/P140VMA-ER1.UK	Dwg. No.	Price	Revision History
		Part Name										
401	S70 K30 313	G	PRINTED CIRCUIT ASSEMBLY	PW 3A	1	1				KE01D548B03		
402	S70 K40 313	G	PRINTED CIRCUIT ASSEMBLY	PW 5A			1	1	1	KE01D548B04		
403	S70 K10 310	G	PRINTED CIRCUIT ASSEMBLY	INDOOR CONTROL	1	1	1	1	1	KE01D546B02		
404	S70 0B4 716	G	TERMINAL BLOCK ASSY		1	1	1	1	1	BH00C267G05		
405	S70 B02 716	G	TERMINAL BLOCK ASSY		1	1	1	1	1	BH00C267G04		
406	S70 E40 716	G	TERMINAL BLOCK		1	1	1	1	1	BH73L021H01		
407	S70 0B1 202	G	THERMISTOR-S	250XAP	1	1	1	1	1	RG71J628H01		
408	S70 K01 259	G	REACTOR	3A3						KE65D486H02		
409	S70 K02 259	G	REACTOR	3A6	1	1				KE65D487H01		
410	S70 K03 259	G	REACTOR	5A6			1	1	1	KE65D488H01		
411	S70 E10 306	G	CORD BUSH		1	1	1	1	1	BG25U730H01		
412	S70 E14 068	G	BOX UNDER COVER		1	1	1	1	1	KB02K887Z01		
413	S70 040 292	G	CLAMP FERRITE FOB		1	1	1	1	1	KE65D273H01		

PEFY-P20,P25,P32,P40,P50VMA(L)-ER1.UK
 PEFY-P63,P71,P80,P100,P125,P140VMA(L)-ER1.UK

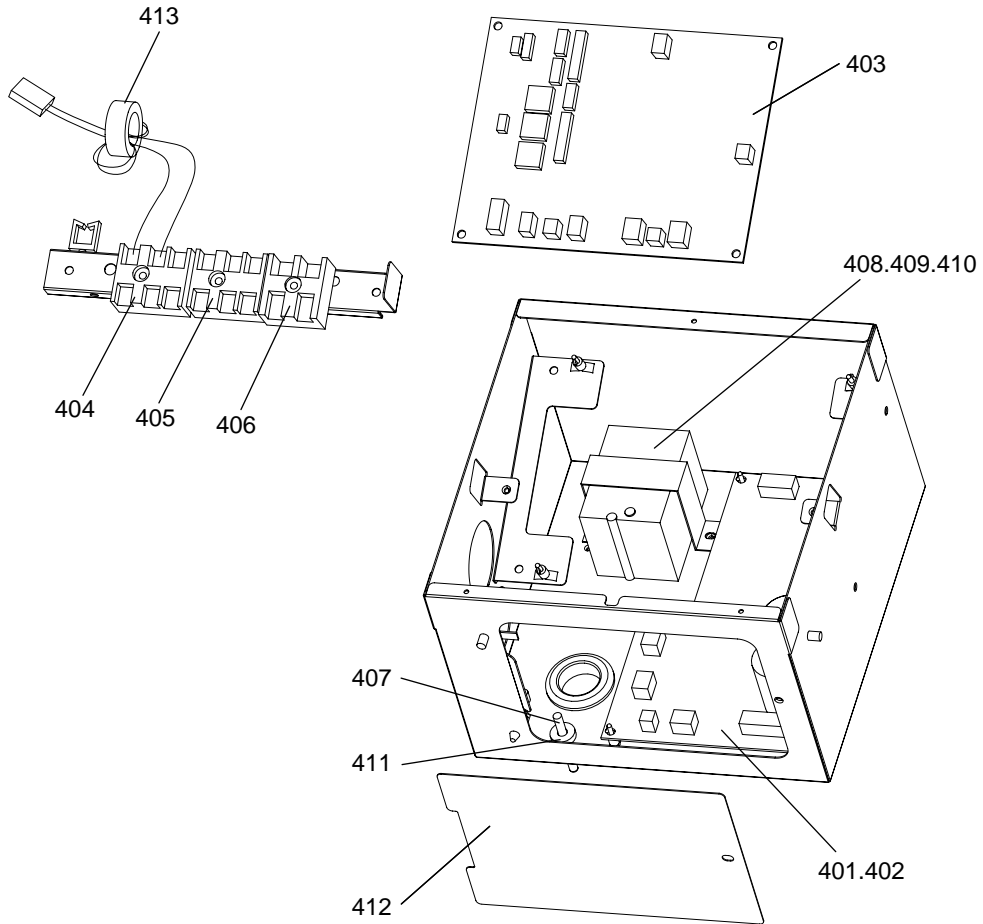
CONTROL BOX PARTS



No.	Part No.	G : RoHS Apply Only W : RoHS Apply by Running Change		Spec.	PEFY-P20/VMA(L)-ER1.UK	PEFY-P25/VMA(L)-ER1.UK	PEFY-P32/VMA(L)-ER1.UK	PEFY-P40/VMA(L)-ER1.UK	PEFY-P50/VMA(L)-ER1.UK	PEFY-P63/VMA(L)-ER1.UK	Dwg. No.	Price	Revision History
		Part Name											
401	S70 K30 313	G	PRINTED CIRCUIT ASSEMBLY	PW 3A	1	1	1	1	1	1	KE01D548B03		
402	S70 K40 313	G	PRINTED CIRCUIT ASSEMBLY	PW 5A							KE01D548B04		
403	S70 K10 310	G	PRINTED CIRCUIT ASSEMBLY	INDOOR CONTROL	1	1	1	1	1	1	KE01D546B02		
404	S70 0B4 716	G	TERMINAL BLOCK ASSY		1	1	1	1	1	1	BH00C267G05		
405	S70 B02 716	G	TERMINAL BLOCK ASSY		1	1	1	1	1	1	BH00C267G04		
406	S70 E40 716	G	TERMINAL BLOCK		1	1	1	1	1	1	BH73L021H01		
407	S70 0B1 202	G	THERMISTOR-S	250XAP	1	1	1	1	1	1	RG71J628H01		
408	S70 K01 259	G	REACTOR	3A3	1	1	1	1	1	1	KE65D486H02		
409	S70 K02 259	G	REACTOR	3A6							KE65D487H01		
410	S70 K03 259	G	REACTOR	5A6							KE65D488H01		
411	S70 E10 306	G	CORD BUSH		1	1	1	1	1	1	BG25U730H01		
412	S70 E14 068	G	BOX UNDER COVER		1	1	1	1	1	1	KB02K887Z01		
413	S70 040 292	G	CLAMP FERRITE FOB		1	1	1	1	1	1	KE65D273H01		

PEFY-P20,P25,P32,P40,P50VMA(L)-ER1.UK
 PEFY-P63,P71,P80,P100,P125,P140VMA(L)-ER1.UK

CONTROL BOX PARTS



No.	Part No.	G : RoHS Apply Only W : RoHS Apply by Running Change		Spec.	PEFY/P20VMA(L)-ER1.UK	PEFY/P25VMA(L)-ER1.UK	PEFY/P32VMA(L)-ER1.UK	PEFY/P40VMA(L)-ER1.UK	PEFY/P50VMA(L)-ER1.UK	Dwg. No.	Price	Revision History
		Part Name										
401	S70 K30 313	G	PRINTED CIRCUIT ASSEMBLY	PW 3A	1	1				KE01D548B03		
402	S70 K40 313	G	PRINTED CIRCUIT ASSEMBLY	PW 5A			1	1	1	KE01D548B04		
403	S70 K10 310	G	PRINTED CIRCUIT ASSEMBLY	INDOOR CONTROL	1	1	1	1	1	KE01D546B02		
404	S70 0B4 716	G	TERMINAL BLOCK ASSY		1	1	1	1	1	BH00C267G05		
405	S70 B02 716	G	TERMINAL BLOCK ASSY		1	1	1	1	1	BH00C267G04		
406	S70 E40 716	G	TERMINAL BLOCK		1	1	1	1	1	BH73L021H01		
407	S70 0B1 202	G	THERMISTOR-S	250XAP	1	1	1	1	1	RG71J628H01		
408	S70 K01 259	G	REACTOR	3A3						KE65D486H02		
409	S70 K02 259	G	REACTOR	3A6	1	1				KE65D487H01		
410	S70 K03 259	G	REACTOR	5A6			1	1	1	KE65D488H01		
411	S70 E10 306	G	CORD BUSH		1	1	1	1	1	BG25U730H01		
412	S70 E14 068	G	BOX UNDER COVER		1	1	1	1	1	KB02K887Z01		
413	S70 040 292	G	CLAMP FERRITE FOB		1	1	1	1	1	KE65D273H01		

